

wöhner

CAPUS® Panel

SWITCH TO
SMALL

Switch-disconnector for DC applications



Performative

Best in class performance in high temperature environments, with no derating up to 70°C



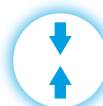
Adaptive

Enables a wide range of applications including in industry



Compact

Smallest installation space in the market due to its compact construction



Versatile

Vertical and horizontal connections made easy by staggered terminal positions



Robust

Short-circuit resistance up to 40 kA



Flexible

External handle with protection degree IP66 and NEMA 4X



Safe

Reliable switching up to 500 A at 1500 VDC



Certified

Certifications according to UL98B and IEC 60947-3 standards

Further information at www.woehner.com

wöhner

Switch-disconnector for DC applications

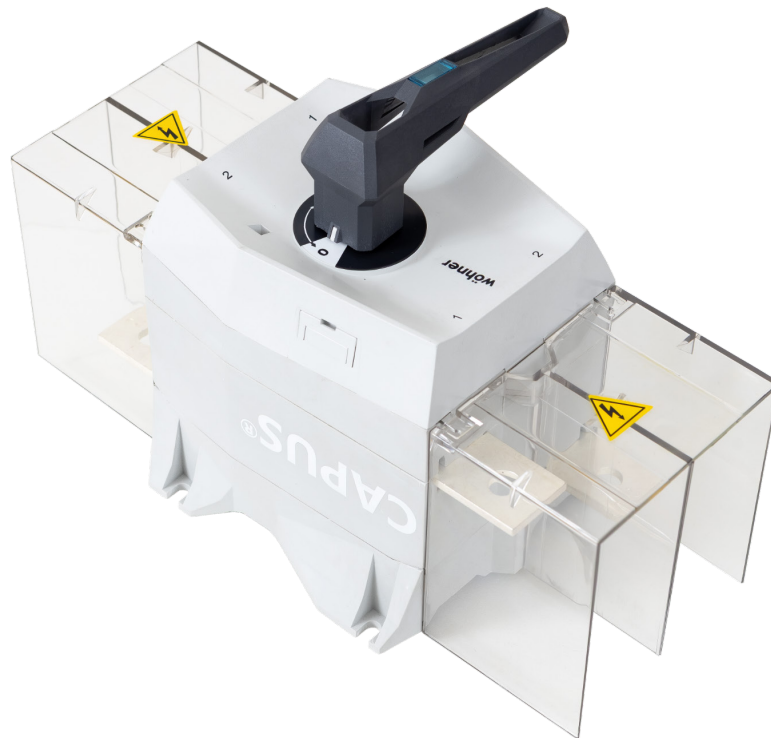
Standard IEC 60947-3	switch-disconnector 2-pole 400 A	switch-disconnector 2-pole 500 A
article	23053	23052
rated current (IEC)	400 A	500 A
rated voltage (IEC) DC	1500 V	1500 V
rated isolation voltage U_i DC	1500 V	1500 V
rated surge voltage U_{imp}	12 kV	12 kV
rated short-time withstand current I_{cw} (1.0 s) max.	10 kA	10 kA
rated making capacity	10 kA	10 kA
cond. short-circuit current with fuses (DC)	40kA (1500V In 500A)	40kA (1500V In 500A)
approved with fuse links of operation class	gPV	gPV
electrical data	DC-PV1 (1500V/400A) DC-PV2 (1500V/400A) DC-21B (1500V/400A) DC-22B (1500V/400A)	DC-PV1 (1500V/500A) DC-PV2 (1500V/500A) DC-21B (1500V/500A) DC-22B (1500V/500A)
number of operating cycles – without current	5000 cycles	5000 cycles
number of operating cycles – with current	200 cycles	200 cycles
environmental conditions*	-25 ... +80 °C	-25 ... +80 °C
operating torque min.	9.6 Nm	9.6 Nm
operating torque max.	14.4 Nm	14.4 Nm
watt loss per pole	5.5 W	8.575 W
weight	3.050 kg	3.150 kg

*For higher temperatures get in contact with us for further information

Standard UL 98B	switch-disconnector 2-pole 400 A	switch-disconnector 2-pole 500 A
article	23051	23050
rated current (UL)	400 A	500 A
rated voltage (UL) DC	1500 V	1500 V
number of operating cycles – without current	400 cycles	400 cycles
number of operating cycles – with current	400 cycles	400 cycles
rated short-time withstand current I_{cw} (0.6 s) max.	10 kA	10 kA
environmental conditions*	-20 ... +50 °C	-20 ... +50 °C
torque (UL)	177 lb-in	177 lb-in
watt loss per pole	5.5 W	8.575 W
weight	3.050 kg	3.150 kg

*For higher temperatures get in contact with us for further information
Operation only with defined, tinned connection rails (see 'Connections and dimensional drawings')

Further information at www.woehner.com



Accessories



23961
connection space cover, top /
bottom attachable



23964
direct rotary handle, graphite
grey



23962
pilot switch



23965
rotary handle for door coupling
drive, black



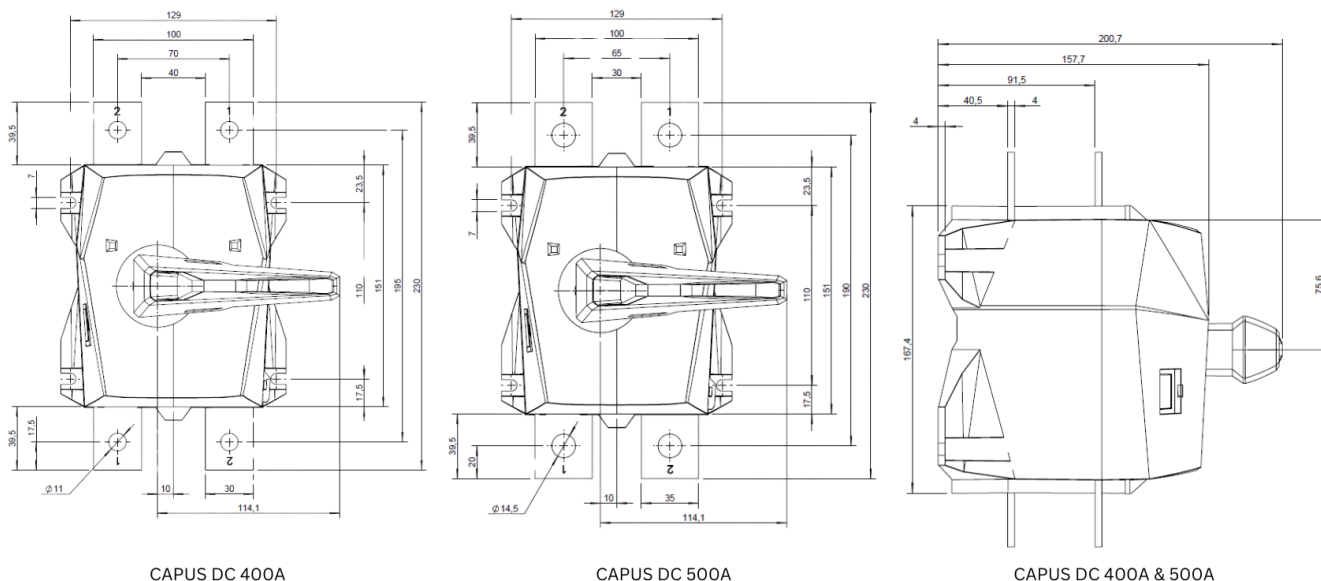
33912
extension shaft, 290 mm long



33913
extension shaft, 490 mm long

Connections and dimensional drawings

Switch-disconnector for DC applications



Connections Standard IEC 60947-3

switch-disconnector 2-pole 400 A

switch-disconnector 2-pole 500 A

article	23053	23052
rated current (IEC)	400 A	500 A
screw	M10	M12
lam. Cu width	20 - 30 mm	20 - 40 mm
thickness of lam. copper	3 - 10 mm	3 - 10 mm
tightening torque min.	9.6 Nm	9.6 Nm
tightening torque max.	14.4 Nm	14.4 Nm

Connections Standard UL 98B

switch-disconnector 2-pole 400 A

switch-disconnector 2-pole 500 A

article	23051	23050
rated voltage (UL) DC	1500 V	1500 V
max. cross-section UL	1 1/4" x 1/4"	1 1/2" x 1/4"
screw	M10	M12
torque (UL)	177 lb-in	177 lb-in

Further information at www.woehner.com

wöhner

Headquarters

Wöhner GmbH & Co. KG
Elektrotechnische Systeme
Mönchrödener Str. 10
96472 Rödental
Germany
Phone +49 9563 751-0
info@woehner.com
www.woehner.com

CAPUS®Panel switch-disconnector
V1.0.4