

CrossLink®185Power

Schienträger, Schienenlängsverbinder und Abdecksystem
 busbar connection terminal, busbar support and covers
 soporte para barras, unión de barras y cubiertas
 Supports de barres, capotages et jonctions longitudinales d'éclissage
 supporti barre, conn. longitudinali e coperture
 母线架、母线加长连接夹和封闭系统



Achtung: Vor Installations- oder Servicearbeiten Stromversorgung unterbrechen, um Unfälle zu vermeiden. Die Geräte müssen in einem passenden Gehäuse eingebaut und gegen Verschmutzung geschützt werden. Inbetriebsetzung und Wartung nur durch Fachpersonal!

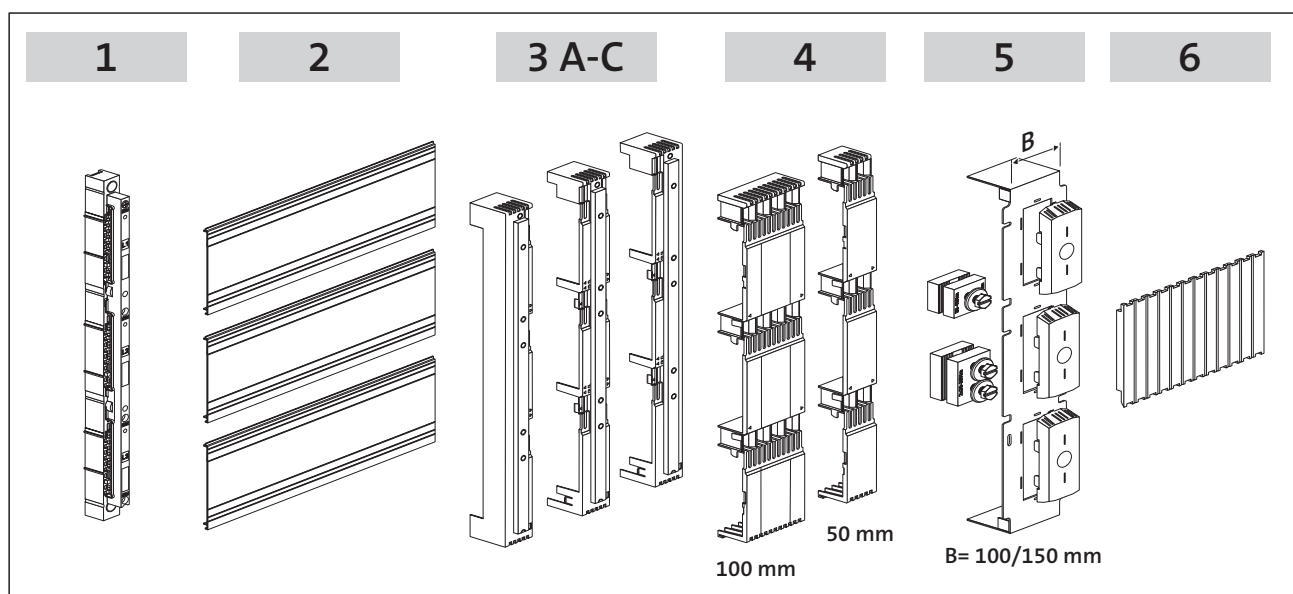
Attention: To prevent electrical shock, disconnect from power source before installing or servicing. Install in suitable enclosure. Keep free from contaminants. To be commissioned and maintained only by qualified personnel!

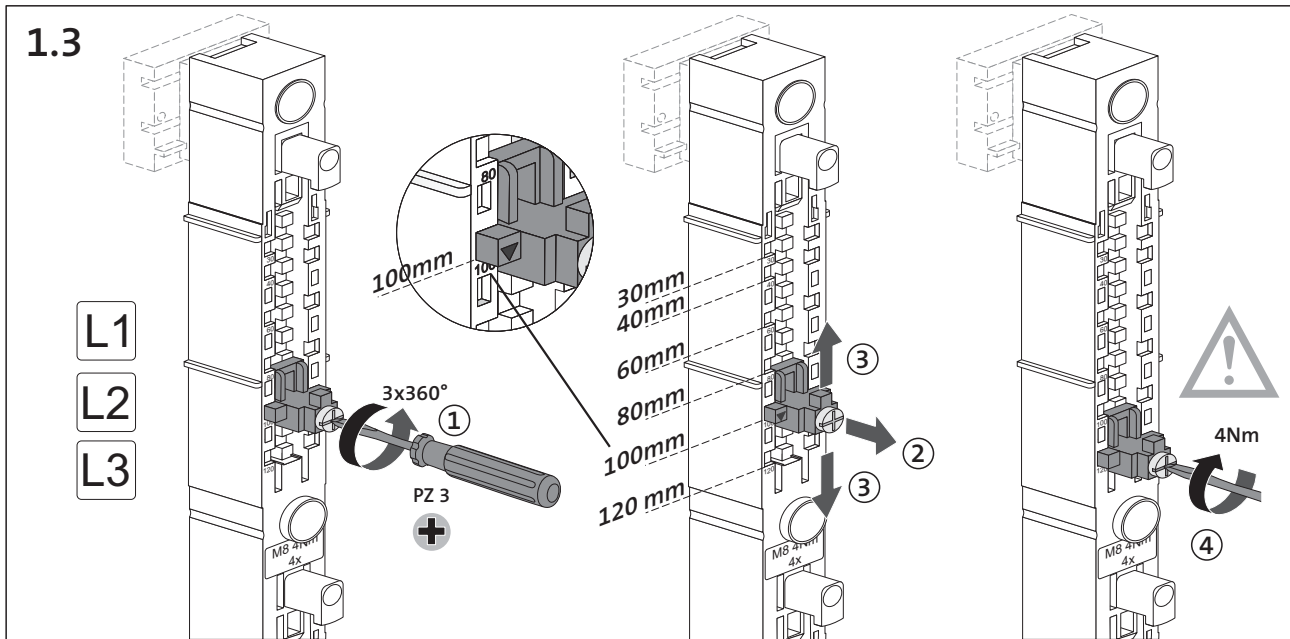
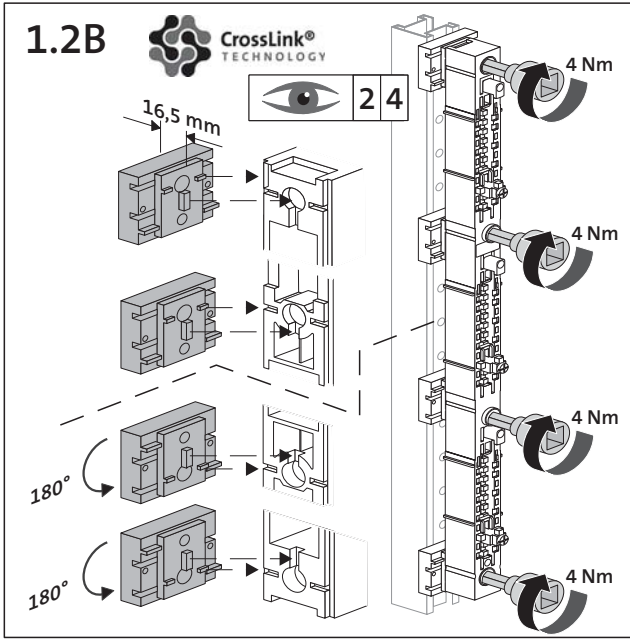
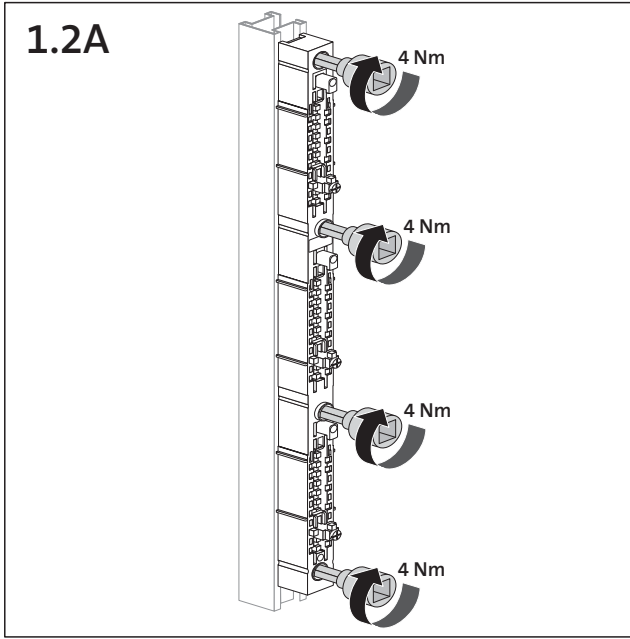
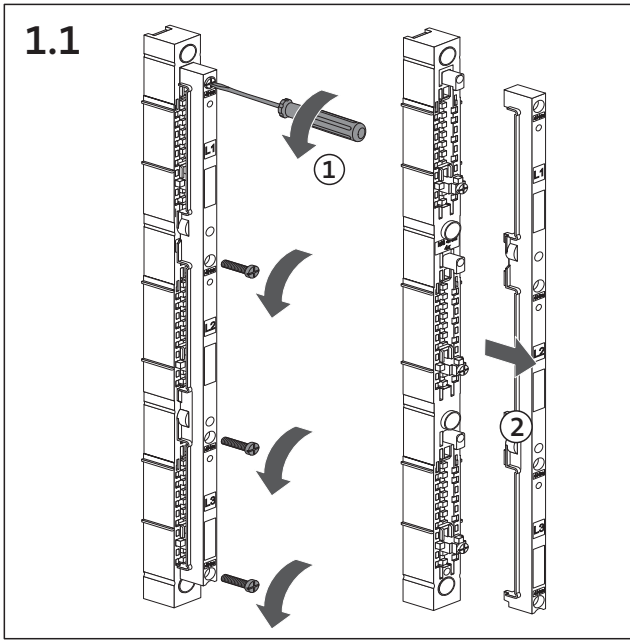
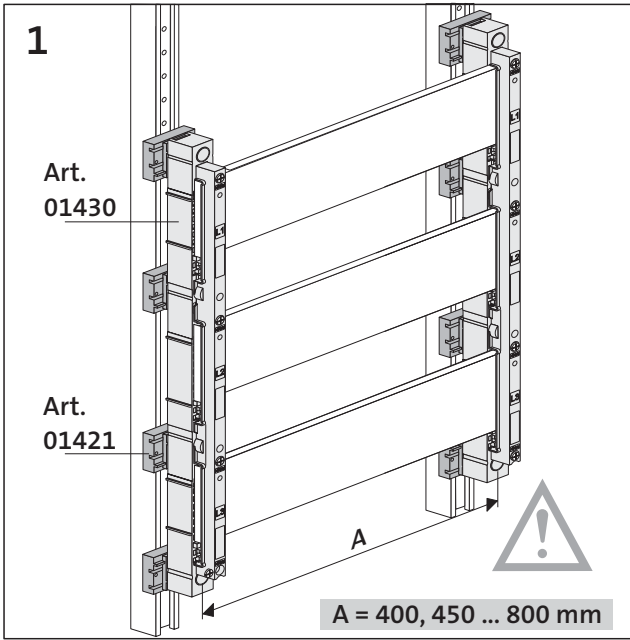
Atención: Con el objeto de evitar accidentes, hay que desconectar la alimentación eléctrica antes de realizar el montaje y la puesta en marcha. Debe instalarse en una caja o armario apropiado. Debe protegerse el producto de los ambientes agresivos. La puesta en marcha y el mantenimiento ha de hacerlo exclusivamente por personal especializado!

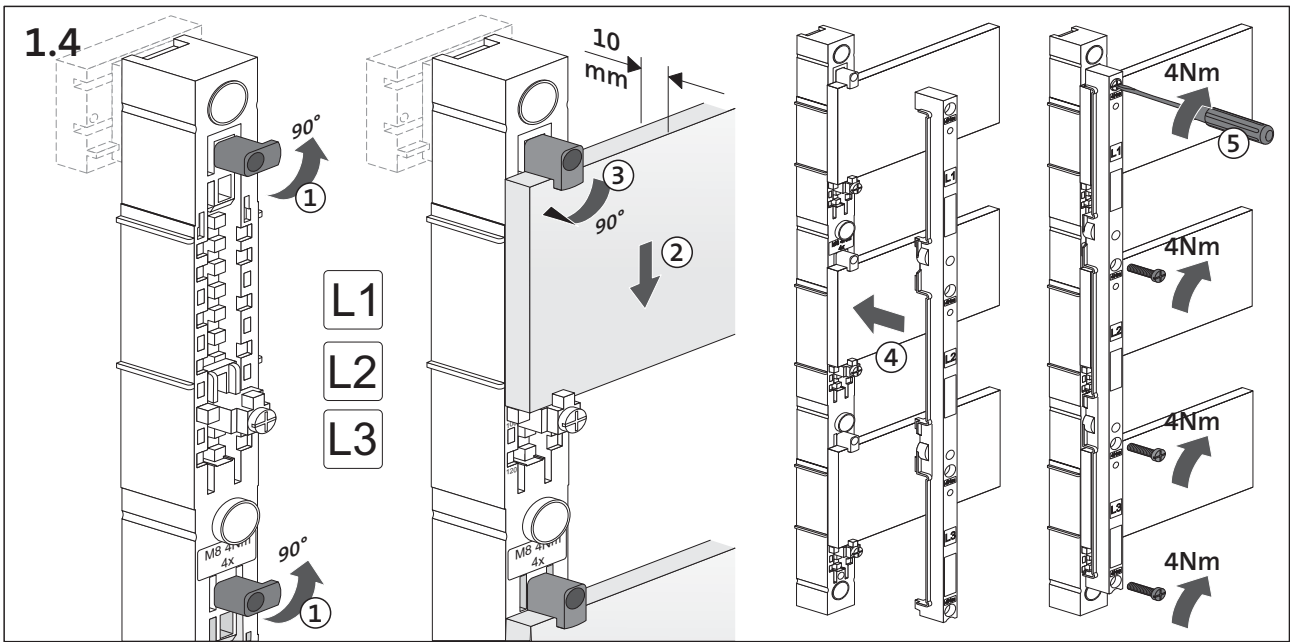
Attention: Avant le montage et la mise en service, couper l'alimentation secteur afin d'éviter tout accident. Prévoir une mise en coffret ou armoire appropriée, protéger le produit contre les environnements agressifs. Mise en service en entretien: seulement par du personnel spécialisé!

Attenzione: Per prevenire infortuni, togliere tensione prima dell'installazione o manutenzione. Installare in custodia idonea. Tenere lontano da contaminanti. Messa in servizio e manutenzione solo da personale specializzato!

注意: 安装前或检修前应切断电源，以防事故。开关应安装在适合的箱体，同时应做好防污染保护。只有专业人员才能做运行、维护、保养的工作。







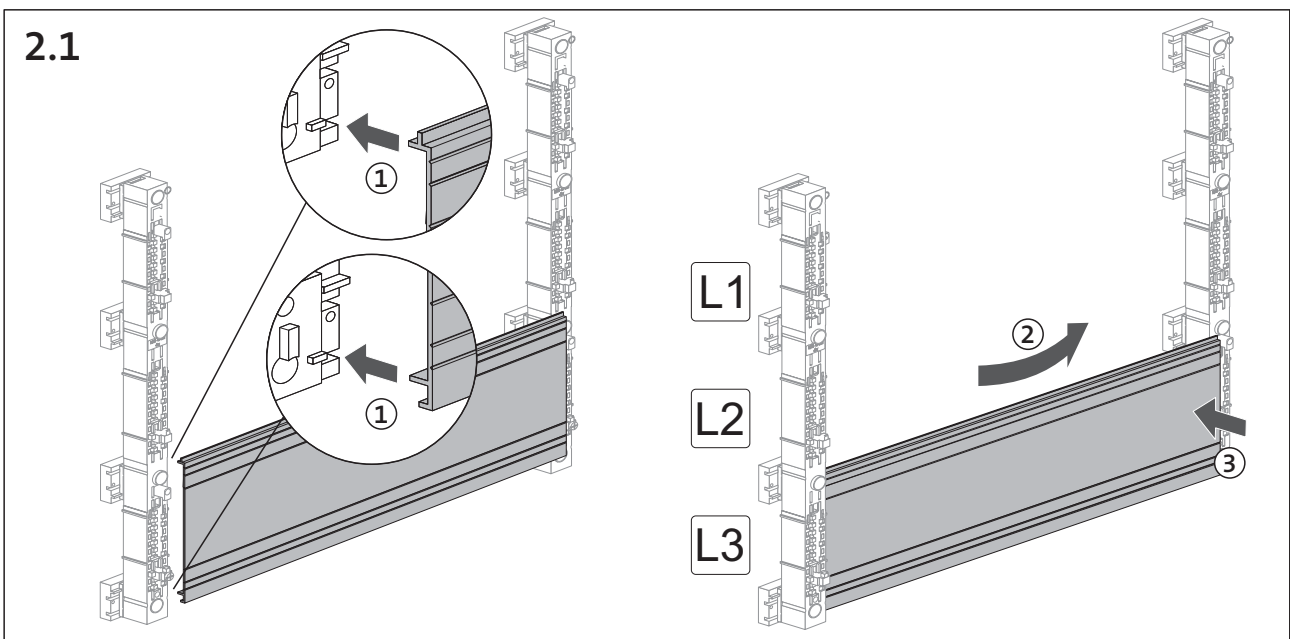
2

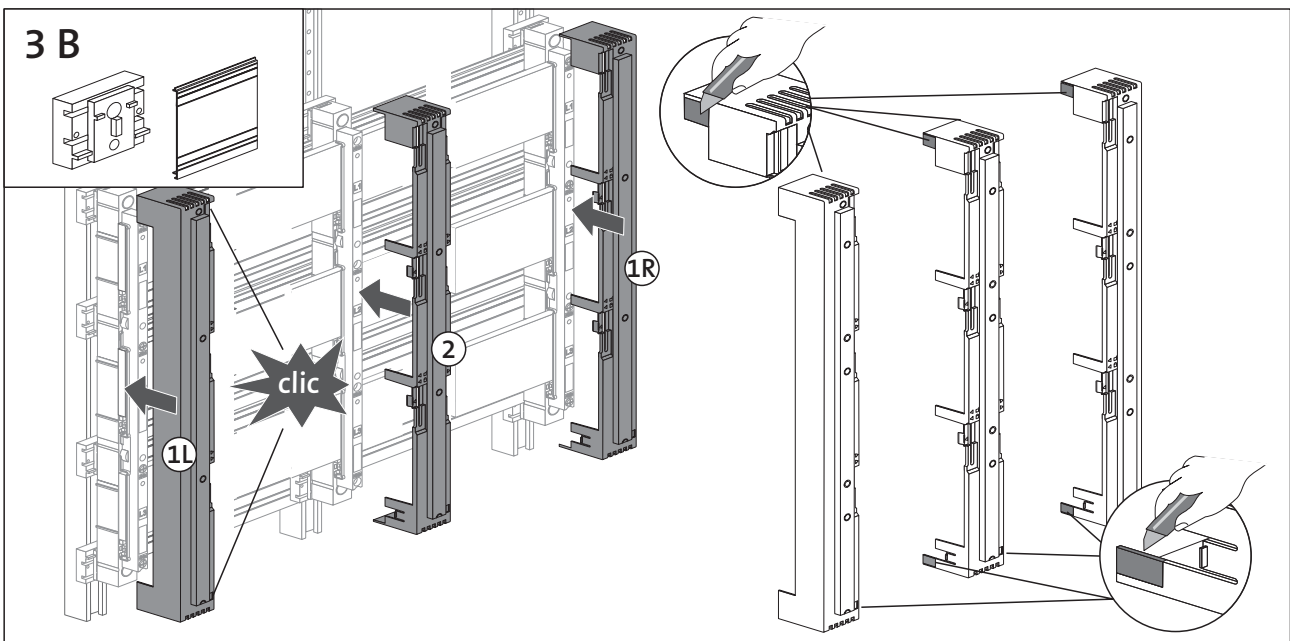
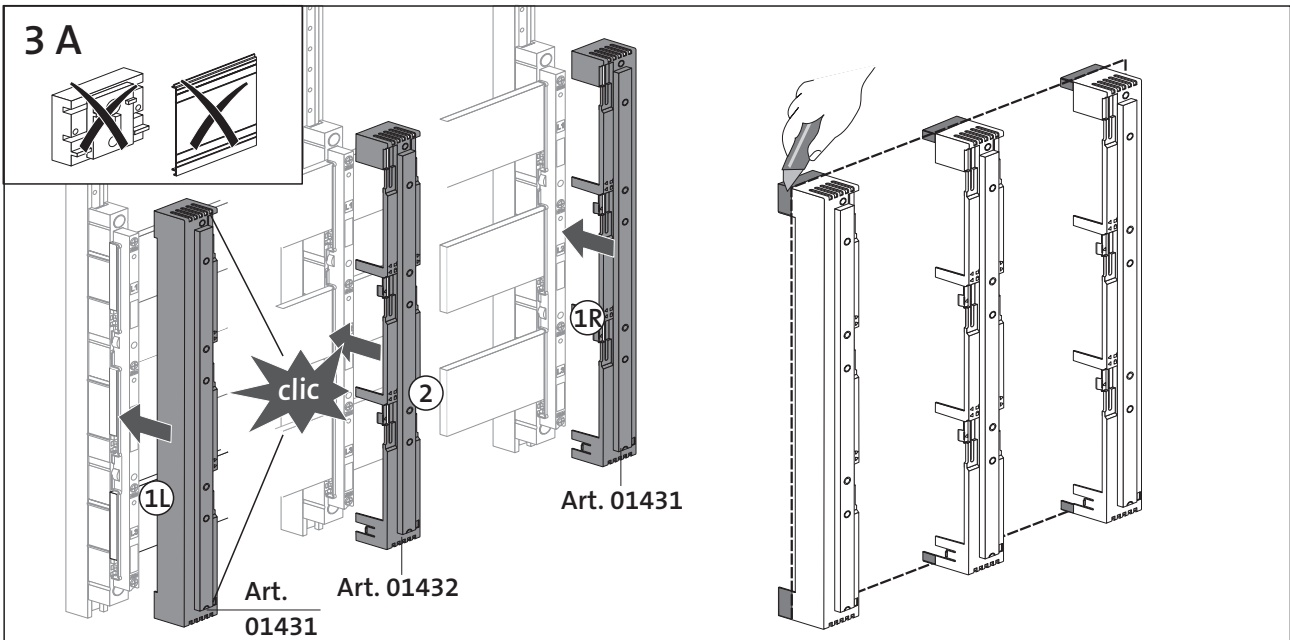
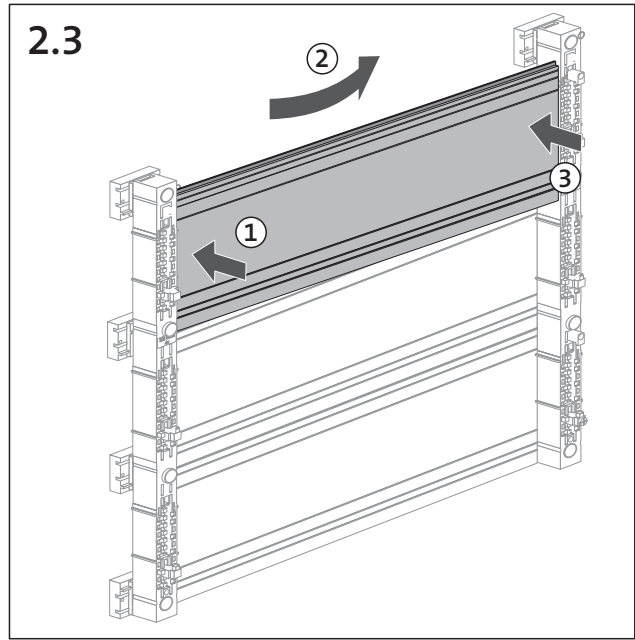
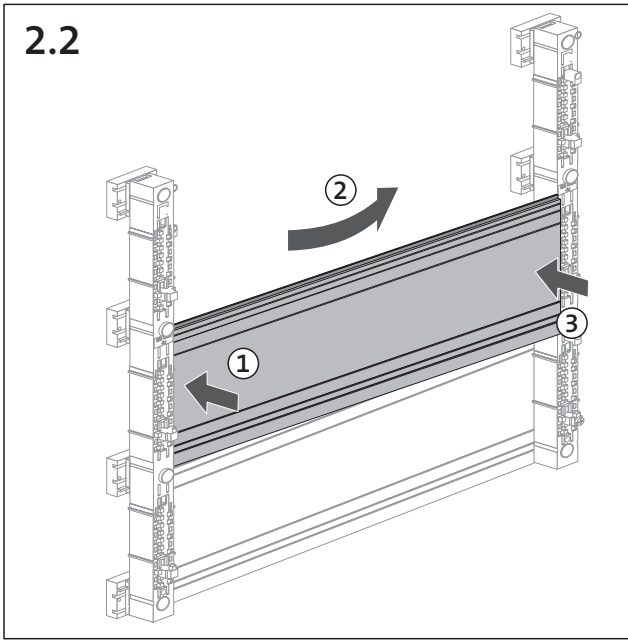
CrossLink[®] TECHNOLOGY

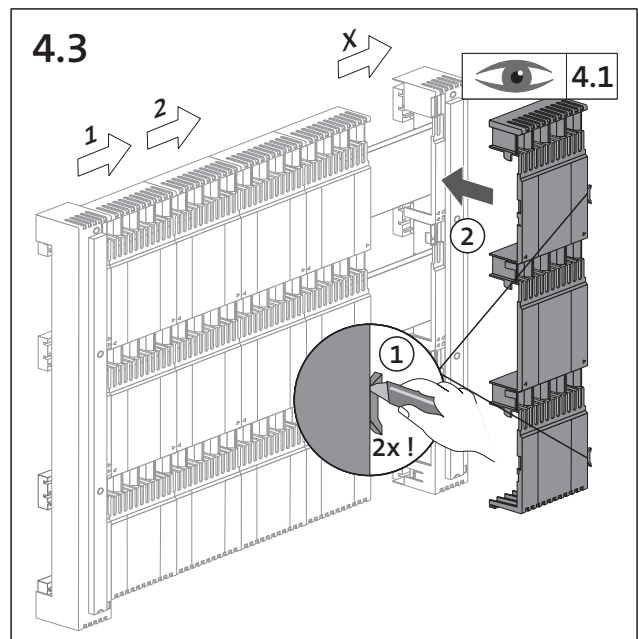
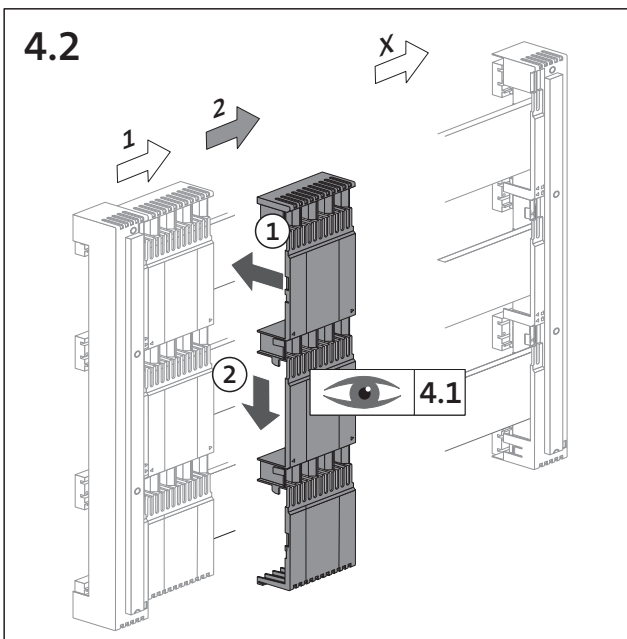
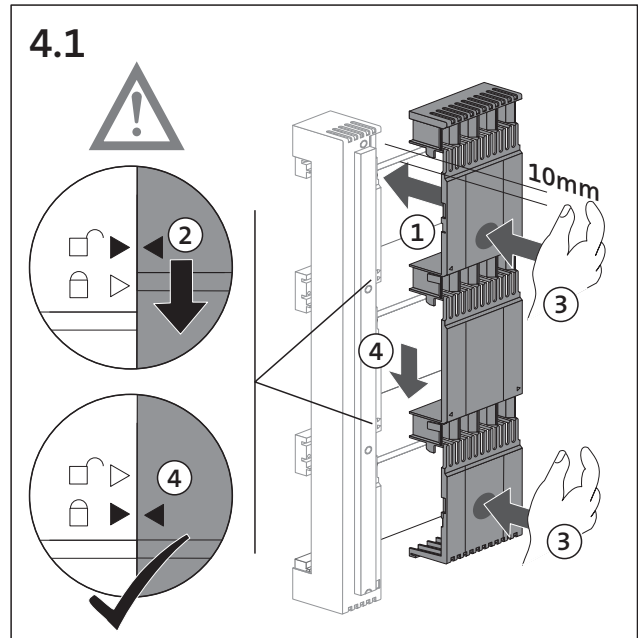
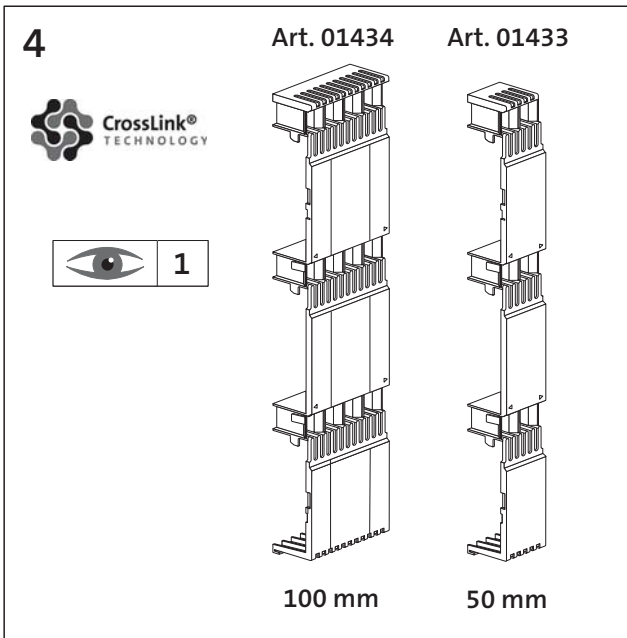
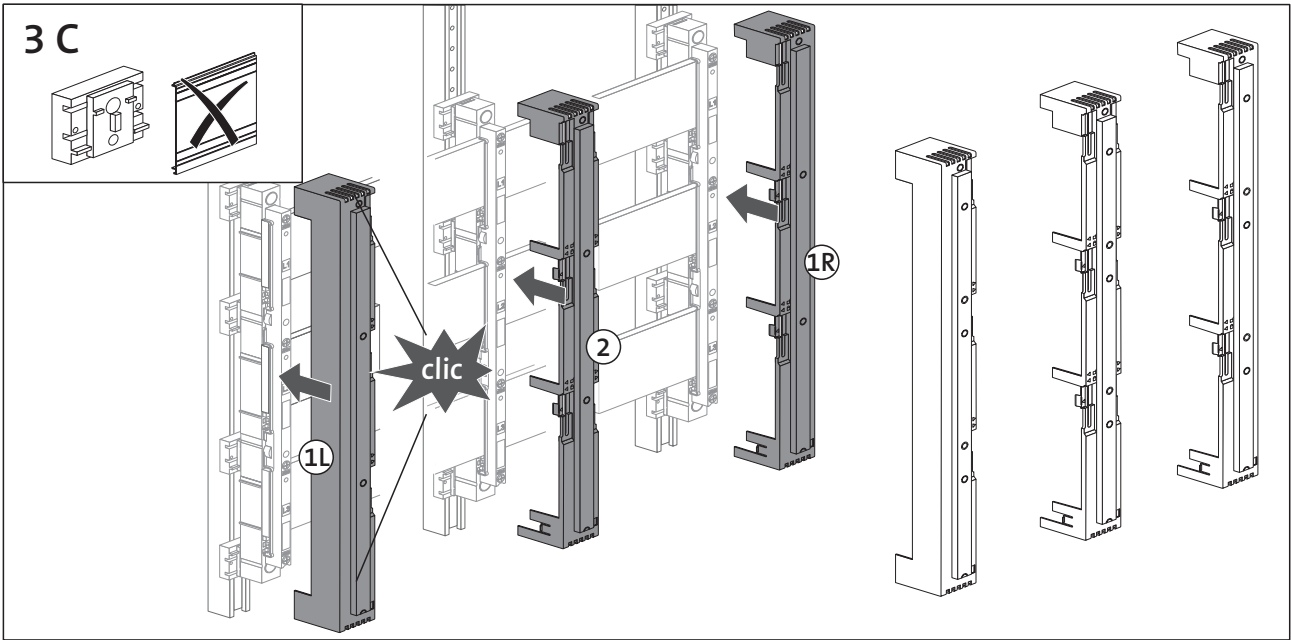
Art.	L	A
01436	673mm	700mm
01420	523mm	550mm

A


L

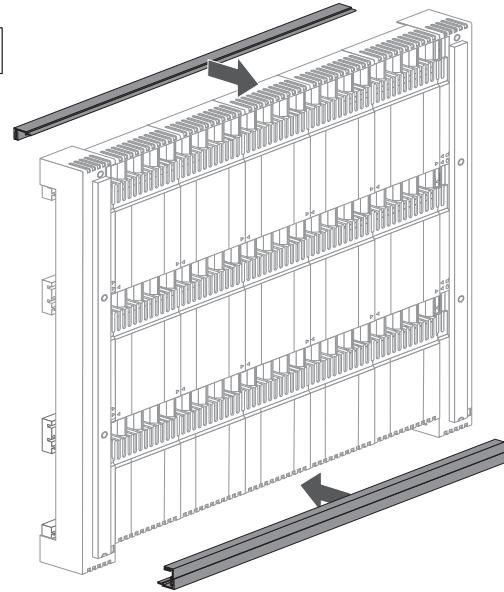
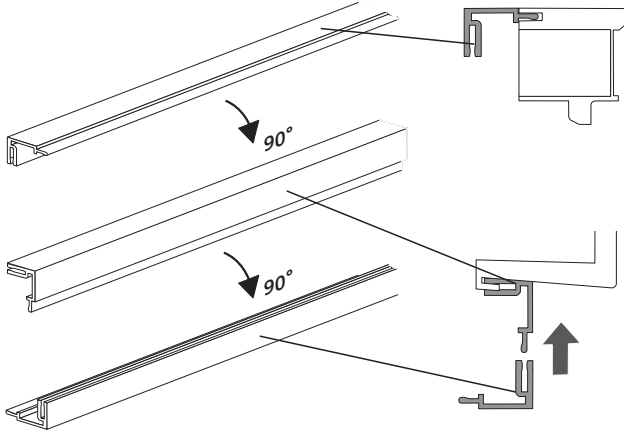




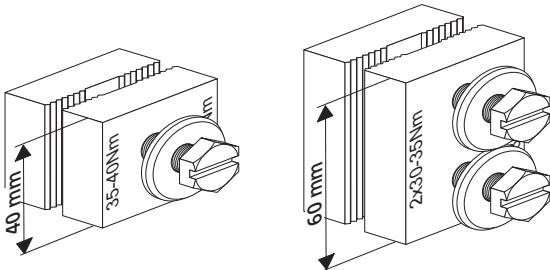


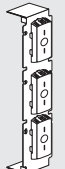
4.4

Art.	L	A	 2
01444	649 mm	700 mm	
01440	499 mm	550 mm	

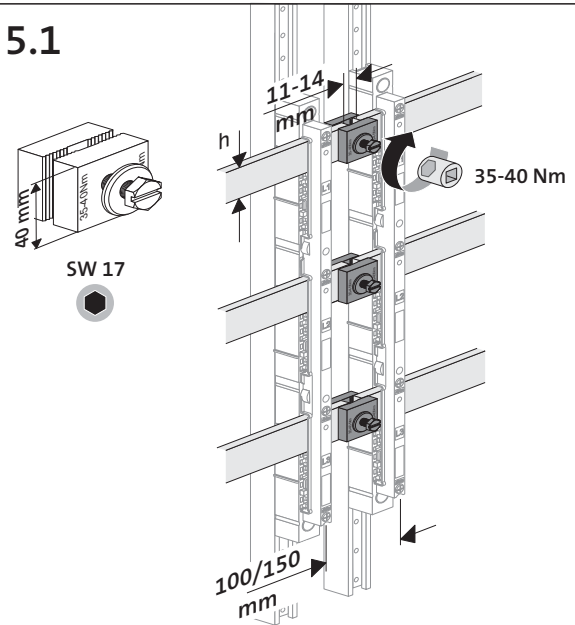


5

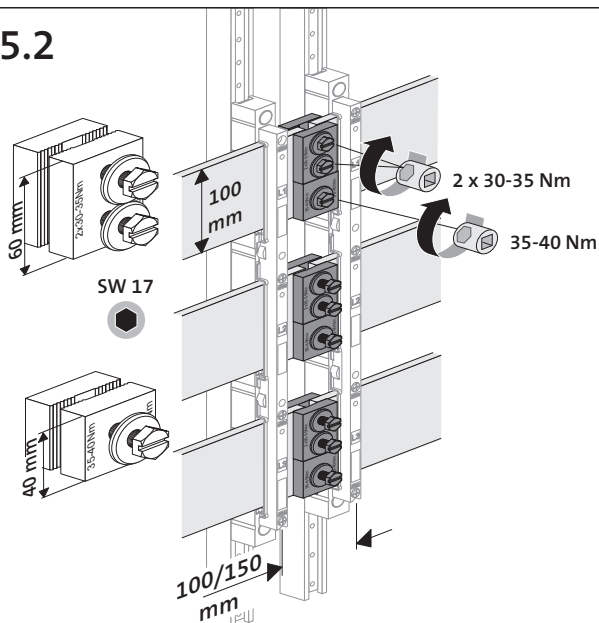


h	Art. 01480	Art. 01481	Art. 01482 100 mm Art. 01416 150 mm
30 mm	1x		
40 mm	1x		
60 mm		1x	
80 mm	2x		
100 mm	1x	+	
120 mm			2x

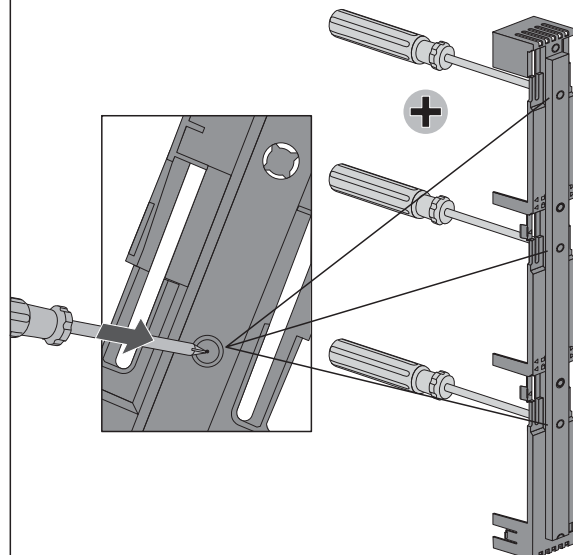
5.1

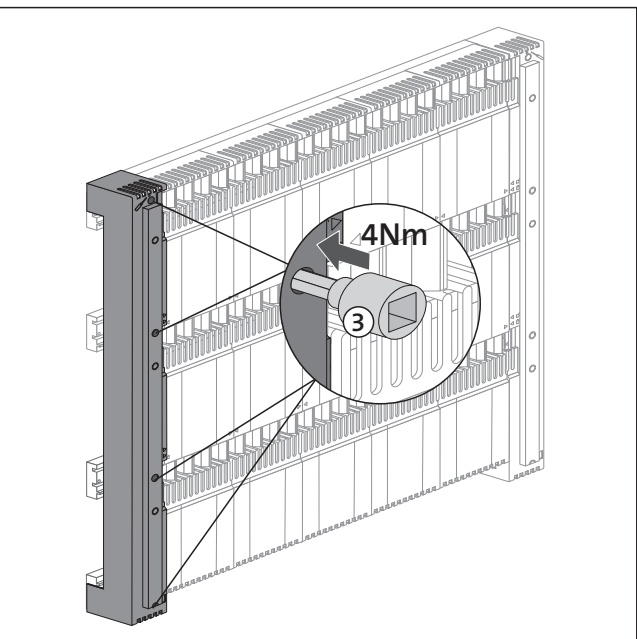
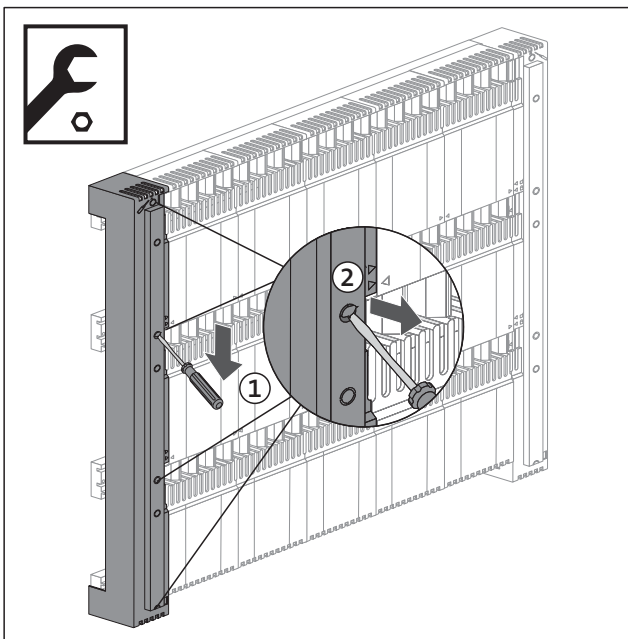
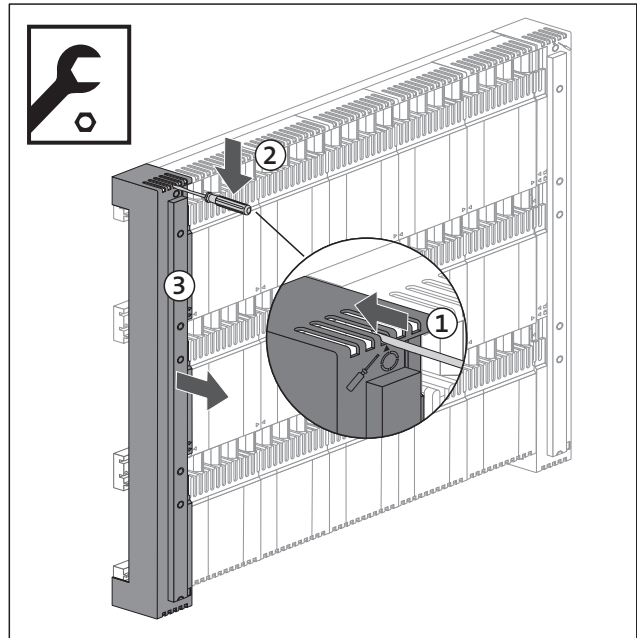
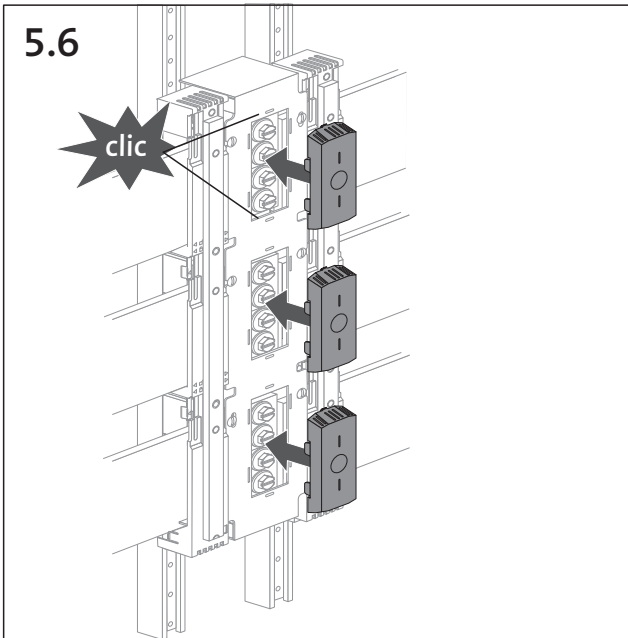
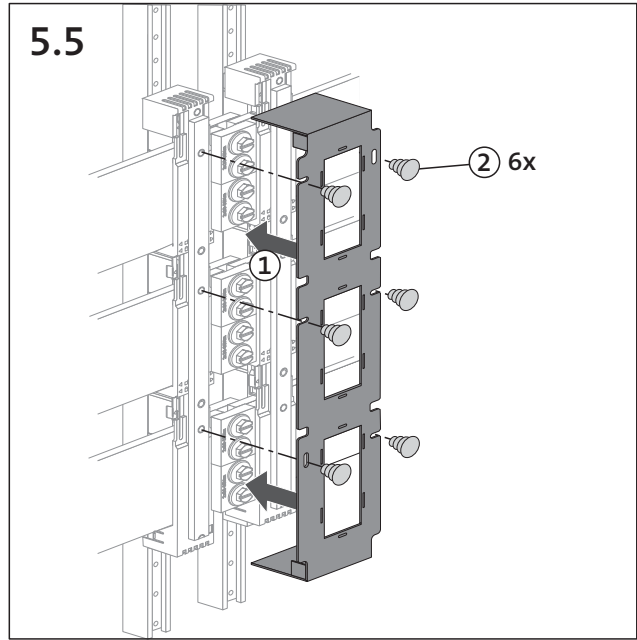
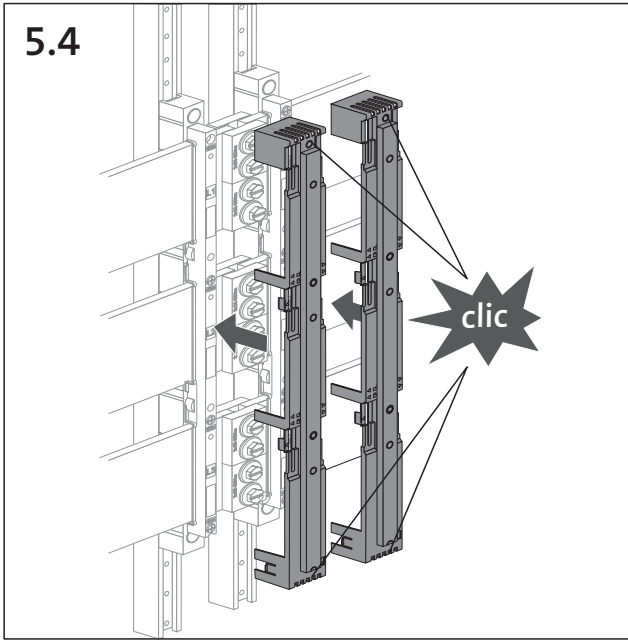


5.2

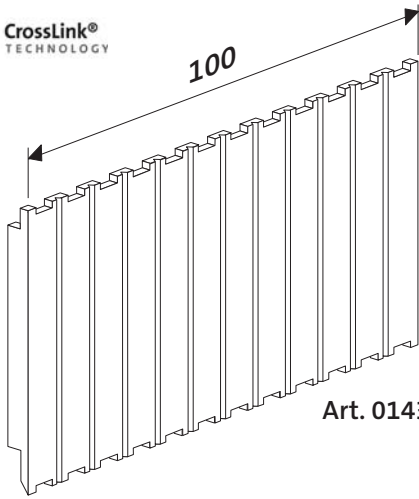


5.3



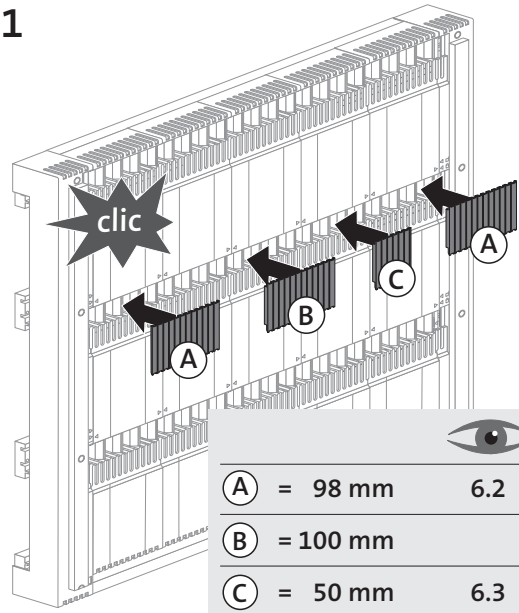


6



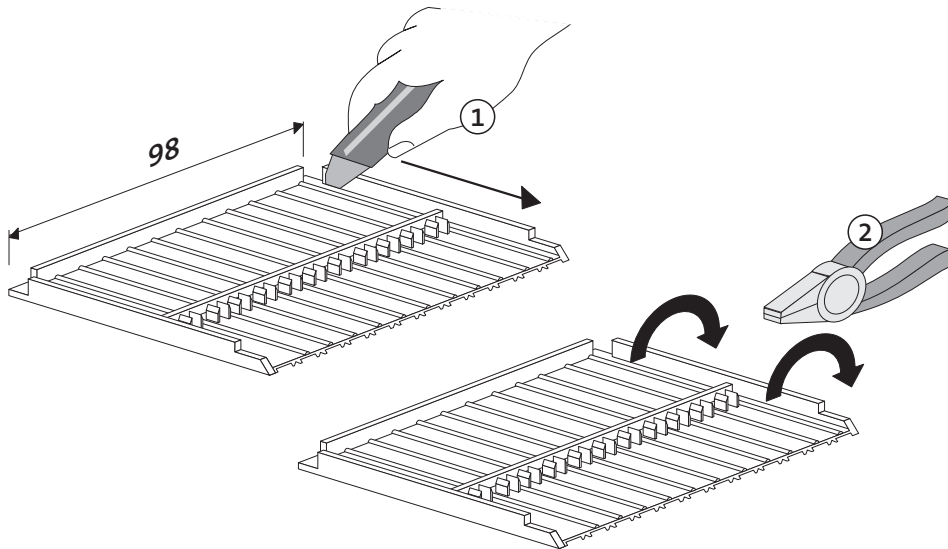
Art. 01435

6.1

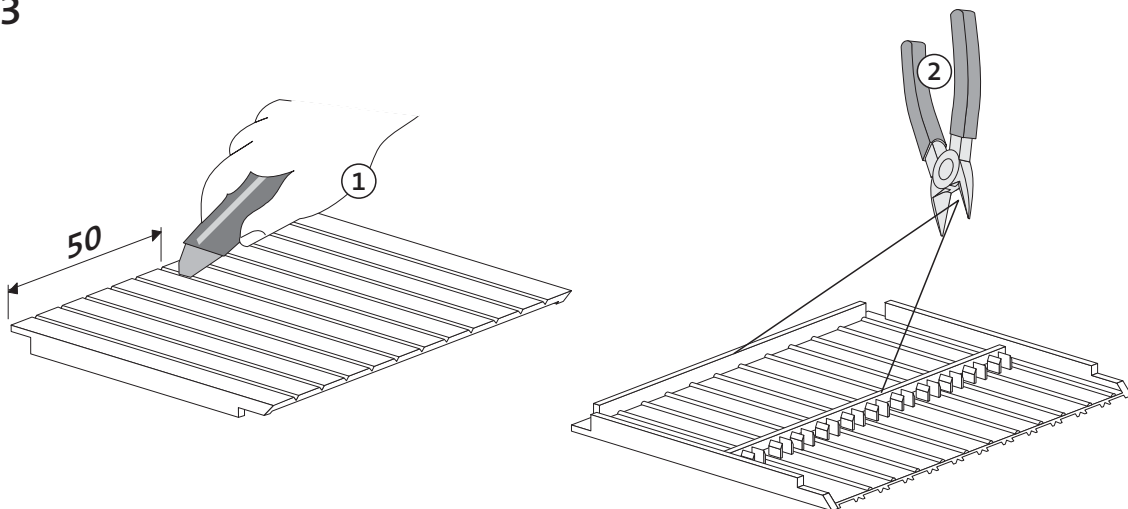


(A)	= 98 mm	6.2
(B)	= 100 mm	
(C)	= 50 mm	6.3

6.2



6.3



7 Listed accessories for use with Wöhner busbar support only 

All devices are suitable for use in branch and feeder circuits

1


D185*
 Mandatory for
 UL application

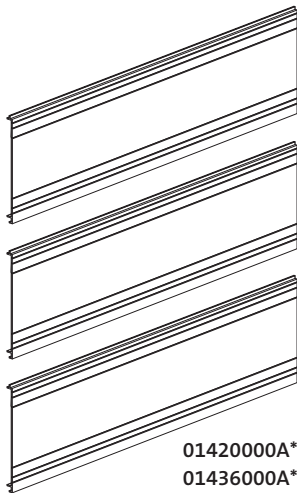


S185-A120*
 Only for use with
 distance piece D 185*

Busbar Support
 1000Vac/Vdc/3pole

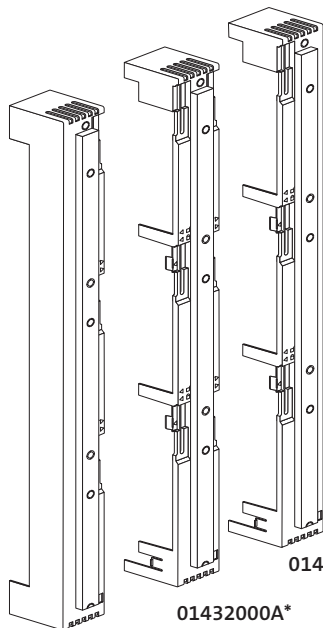
max. distance between support 600 mm		
Type No.	Busbar [mm]	SCCR [kA]
S185-A120* with D185*	30x10 - 40x10	42
	60x10 - 120x10	50

2



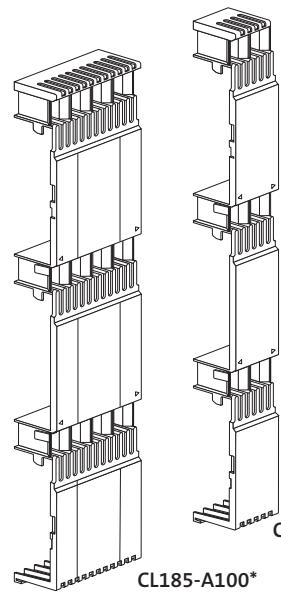
01420000A*
 01436000A*

3 B+C

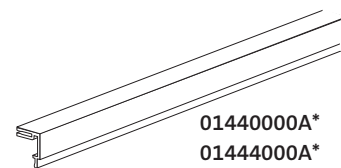


01431000A*
 01432000A*

4



CL185-A100*
 CL185-A50*



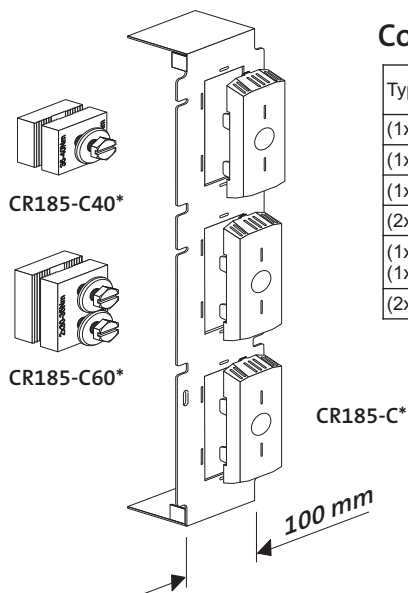
01440000A*
 01444000A*

*Type No. according to 

7 Listed accessories for use with Wöhner busbar support only

All devices are suitable for use in branch and feeder circuits

5



Connection Terminals

Type No.	Busbar [mm]	SCCR [kA]	Voltage/ Current/3pole
(1x) CR185-C40*	30x10	42	1000Vac/Vdc/630A
(1x) CR185-C40*	40x10	42	1000Vac/Vdc/700A
(1x) CR185-C60*	60x10	50	1000Vac/Vdc/1100A
(2x) CR185-C40*	80x10	50	1000Vac/Vdc/1300A
(1x) CR185-C40* (1x) CR185-C60*	100x10	50	1000Vac/Vdc/1550A
(2x) CR185-C60*	120x10	50	1000Vac/Vdc/1800A

Listed accessories for use with Wöhner busbar support only

All devices are suitable for use in branch and feeder circuits

Busbars

Type No.	Dimension [mm]	SCCR [kA]	Voltage/ Current/3pole
30x10-L*	30x10	42	1000Vac/Vdc/630A
40x10-L*	40x10	42	1000Vac/Vdc/700A
60x10-L*	60x10	50	1000Vac/Vdc/1100A
80x10-L*	80x10	50	1000Vac/Vdc/1300A
100x10-L*	100x10	50	1000Vac/Vdc/1550A
120x10-L*	120x10	50	1000Vac/Vdc/1800A

Power Terminals

Type No.	Busbar [mm]	SCCR [kA]	Voltage/ Current/3pole
CR185-A2x300*	30x10 - 120x10	35	1000Vac/Vdc/840A
CR185-A80*	30x10 - 40x10	42	1000Vac/Vdc/1400A
	60x10 - 120x10	50	
CR185-A2x12*	30x10 - 40x10	42	1000Vac/Vdc/1520A
	60x10 - 120x10	50	

CR185-A80*: only for use on a system carrying maximum 1400A

CR185-A2x12*: only for use on a system carrying maximum 1520A

*Type No. according to 

Notizen

A grid of 20 rows and 20 columns of small dots, intended for taking notes.

Notizen

Grid of 20 rows and 20 columns of dots for notes.