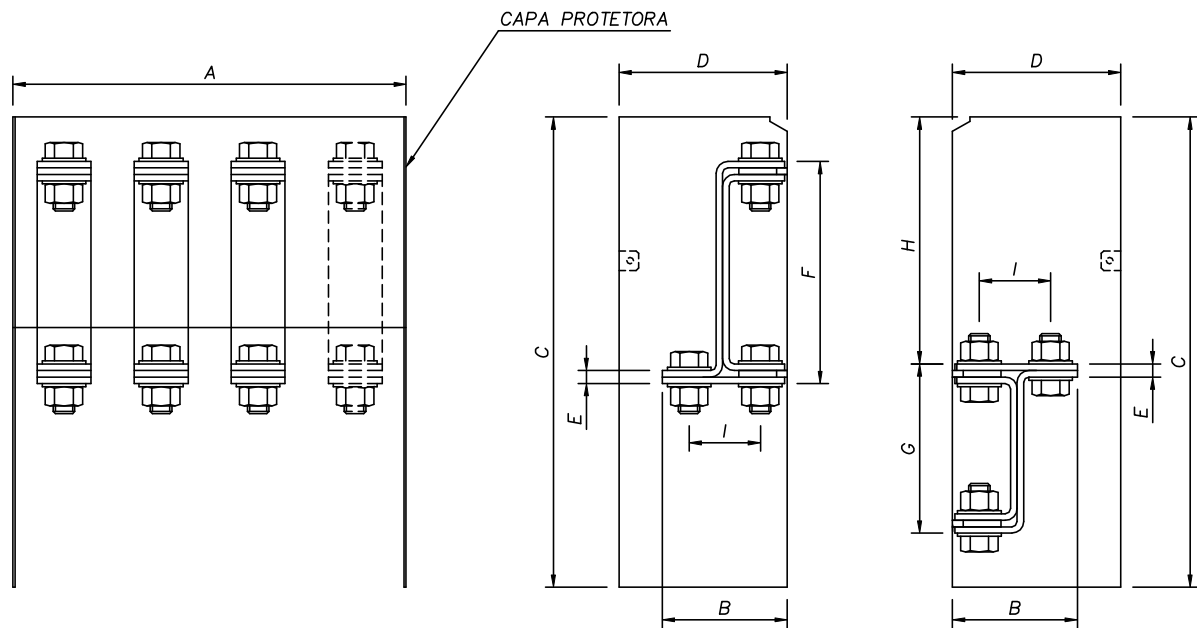
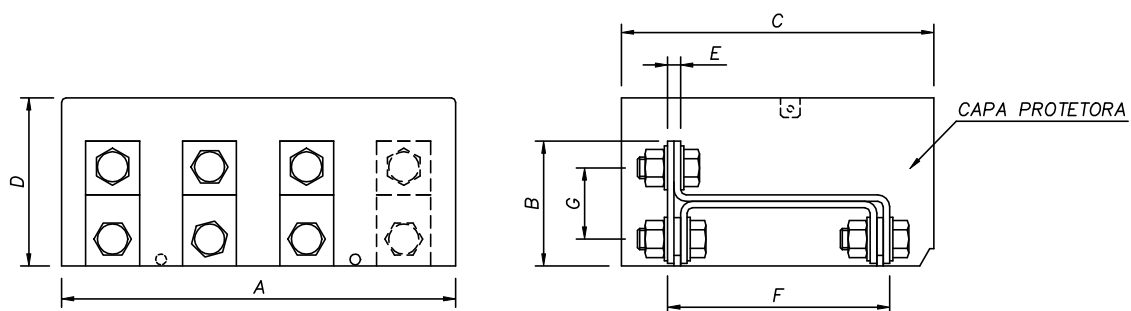


BYU 63/100/160/250/400/630/1000/1250/1600



Barramento	A	B	C	D	E	F	G	H	I
BYU 63	103	48	185	59	2	84	51	94	30
BYU 100	103	48	185	59	2	84	51	94	30
BYU 160	134	46	200	70	6	96	77	101	22
BYU 250	186	58	220	78	6	104	82	115	32
BYU 400	186	58	220	78	6	104	82	115	32
BYU 630	264	85	300	120	10	154	114	165	53
BYU 1000	264	88	300	120	10	154	114	165	53
BYU 1250	344	131	350	163	12	182	136	181	86
BYU 1600	344	211	350	243	12	182	136	181	126

BBU 63/100/160/250/400/630/1000/1250/1600



Barramento	A	B	C	D	E	F	G
BBU 63	103	48	185	59	2	84	30
BBU 100	103	48	185	59	2	84	30
BBU 160	134	46	131	70	6	96	22
BBU 250	186	58	145	78	6	104	32
BBU 400	186	58	145	78	6	104	32
BBU 630	264	85	205	120	10	154	53
BBU 1000	264	88	205	120	10	154	53
BBU 1250	344	131	240	163	12	182	86
BBU 1600	344	211	240	243	12	182	126