

wöhner

CAPUS® Panel

SWITCH TO  
SMALL

## Switch-disconnector for DC applications



### Performative

Best in class performance in high temperature environments, with no derating



### Adaptive

Enables a wide range of applications including in industry



### Compact

Smallest installation space in the market due to its compact construction



### Versatile

Vertical and horizontal connections made easy by staggered terminal positions



### Robust

Short-circuit resistance up to 40 kA



### Flexible

External handle with Protection degree IP66 and NEMA 4X



### Safe

Reliable switching up to 500 A at 1500 VDC



### Certified

Certifications according to UL98B and IEC 60947-3 standards

Further Information at [www.woehner.com](http://www.woehner.com)

wöhner

Switch-disconnector for DC applications

<b>Standard IEC 60947-3</b>		<b>CAPUS®Panel switch-disconnector 400 A IEC</b>	<b>CAPUS®Panel switch-disconnector 500 A IEC</b>
Article number		<b>23053</b>	<b>23052</b>
Rated operational current (Ie)		400 A	500 A
Rated uninterrupted current (Iu)		400 A	500 A
Conventional thermal current (Ith)		400 A	500 A
Rated operational voltage (Ue)		1500 VDC	1500 VDC
Rated insulation voltage (Ui)		1500 VDC	1500 VDC
Rated impulse withstand current (Uimp)		12 kV	12 kV
Rated short-time withstand current (Icw)		15 kA - 1 s	15 kA - 1 s
Rated short-circuit making capacity (Icm)		15 kA	15 kA
Rated conditional short-circuit current (Icc)		40 kA	40 kA
Fuse-link		gPV 500 A	gPV 500 A
Utilization categories	DC-PV1	400 A	500 A
	DC-PV2	400 A	500 A
	DC-21B	400 A	500 A
	DC-22B	400 A	500 A
Number of operating cycles – without current		5000	5000
Number of operating cycles – with current		200	200
Environmental conditions*		-25°C to +40°C	-25°C to +40°C
Operating torque		12 Nm	12 Nm
Watt loss per pole		11 W	17.5 W
Weight		2.86 kg	2.96 kg

\*for higher temperatures get in contact with us for further information

<b>Standard UL 98B</b>		<b>CAPUS®Panel switch-disconnector 400 A UL</b>	<b>CAPUS®Panel switch-disconnector 500 A UL</b>
Article number		<b>23051</b>	<b>23050</b>
Rated current		400 A	500 A
Rated voltage		1500 VDC	1500 VDC
Short-circuit withstand current		15 kA - 1s	15 kA - 1s
Short-circuit closing current		15 kA	15 kA
Conditional short-circuit current		40 kA	40 kA
Fuse-link		gPV 500 A	gPV 500 A
Mechanical endurance – without current		800 cycles	800 cycles
Electrical endurance – with current		400 cycles	400 cycles
Environmental conditions*		-20°C to +50°C	-20°C to +50°C
Operating torque		12 Nm	12 Nm
Watt loss per pole		11 W	17.5 W
Weight		2.86 kg	2.96 kg

\*for higher temperatures get in contact with us for further information

Further Information at [www.woehner.com](http://www.woehner.com)



## Accessories



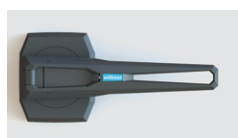
23961  
**TERMINAL COVER**



23964  
**DIRECT HANDLE**



23962  
**PILOT SWITCH**



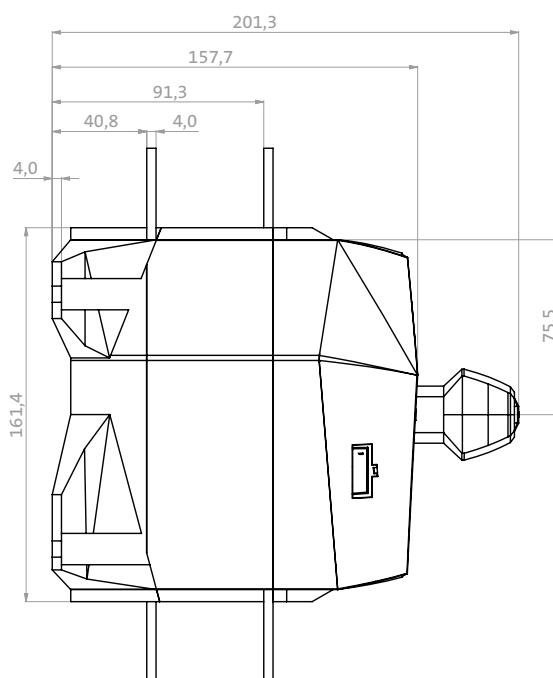
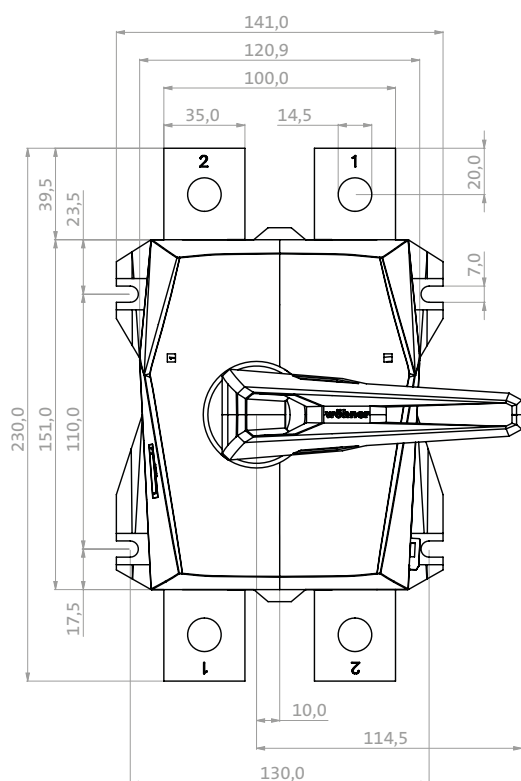
23965  
**EXTERNAL HANDLE**



23963  
**EXTENSION SHAFT**

# Connections and dimensional drawings

Switch-disconnector for DC applications



## Connections Standard IEC 60947-3

### CAPUS®Panel switch-disconnector 400 A IEC

### CAPUS®Panel switch-disconnector 500 A IEC

Article number		<b>23053</b>	<b>23052</b>
Rated operational current (Ie)		400 A	500 A
Cable connection	DIN 46234 cable lug (1 cable)	6 mm <sup>2</sup> - 240 mm <sup>2</sup>	10 mm <sup>2</sup> - 240 mm <sup>2</sup>
	DIN 46234 cable lug (2 cables)	2 × (6 mm <sup>2</sup> - 150 mm <sup>2</sup> )	2 × (10 mm <sup>2</sup> - 150 mm <sup>2</sup> )
	DIN 46235 cable lug (1 cable)	16 mm <sup>2</sup> - 185 mm <sup>2</sup>	25 mm <sup>2</sup> - 185 mm <sup>2</sup>
	DIN 46235 cable lug (2 cables)	2 × (16 mm <sup>2</sup> - 150 mm <sup>2</sup> )	2 × (25 mm <sup>2</sup> - 150 mm <sup>2</sup> )
Bar connection (min)		20 mm - 3 mm	20 mm - 3 mm
Bar connection (max)		30 mm - 6 mm	25 mm - 6 mm
Screw		M10	M12
Tightening torque		20 Nm	40 Nm

## Connections Standard UL 98B

### CAPUS®Panel switch-disconnector 400 A UL

### CAPUS®Panel switch-disconnector 500 A UL

Article number		<b>23051</b>	<b>23050</b>
Rated operational current (Ie)		400 A	500 A
Bar connection (min)		3/4" × 1/8"	3/4" × 1/8"
Bar connection (max)		1 1/4" × 1/4"	1 1/2" × 1/4"
Screw		M10	M12
Tightening torque		20 Nm	40 Nm

# wöhner

**Headquarters**

Wöhner GmbH & Co. KG  
Elektrotechnische Systeme  
Mönchrödener Str. 10  
96472 Rödental  
Germany  
Phone +49 9563 751-0  
info@woehner.com  
www.woehner.com

CAPUS®Panel switch-disconnector  
V1.0.0