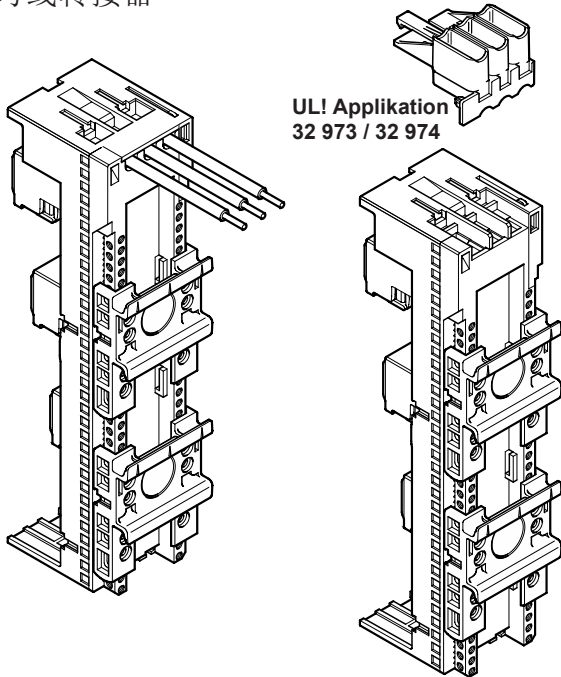


Sammelschienenadapter

Busbar adapter
 adaptador de barra colector
 adaptateur pour jeux de barres
 adattatori per interruttori
 母线转接器



UL! Applikation
 32 973 / 32 974

Achtung: Vor Installations- oder Servicearbeiten Stromversorgung unterbrechen, um Unfälle zu vermeiden. Die Geräte müssen in einem passenden Gehäuse eingebaut und gegen Verschmutzung geschützt werden. Inbetriebsetzung und Wartung nur durch Fachpersonal!

Attention: To prevent electrical shock, disconnect from power source before installing or servicing. Install in suitable enclosure. Keep free from contaminants. To be commissioned and maintained only by qualified personnel!

Atención: Con el objeto de evitar accidentes, hay que desconectar la alimentación eléctrica antes de realizar el montaje y la puesta en marcha. Debe instalarse en una caja o armario apropiado. Debe protegerse el producto de los ambientes agresivos. La puesta en marcha y el mantenimiento ha de hacerlo exclusivamente por personal especializado!

Attention: Avant le montage et la mise en service, couper l'alimentation secteur afin d'éviter tout accident. Prévoir une mise en coffret ou armoire appropriée, protéger le produit contre les environnements agressifs. Mise en service en entretien: seulement par du personnel spécialisé!

Attenzione: Per prevenire infortuni, togliere tensione prima dell'installazione o manutenzione. Installare in custodia idonea. Tenere lontano da contaminanti. Messa in servizio e manutenzione solo da personale specializzato!

注意：安装前或检修前应切断电源，以防事故。开关应安装在适合的箱体，内，同时应做好防污染保护。只有专业人员才能做运行、维护、保养的工作。



EEC6025-L, EEC6032-L,
 EEC6063-L, EEC6080-L,
 EEC606000-L

Busbar adapter Type EEC6025-L (UL-File E123577 Vol. 2 Sec. 1)
 Listed Accessory for use with Wöhner Busbar Supports only

When protected by	SCCR
Fuses Class J, CC, CF, T, rated max. 60 A	100 kA 600 V AC
Any NKJH/7, Type E, rated max. 12.5 A	30 kA 600 V AC
Any NKJH/7, Type E, rated max. 16 A	65 kA 480 V AC
Any NKJH/7, Type E, rated max. 25 A	65 kA 480 V AC
Any NKJH/7, Type E, rated max. 32 A	50 kA 480 V AC

If adapter EEC6025-L used with manual motor controller type 3RV2032, manufactured by Siemens, the minimum enclosure size is 610 mm by 205 mm by 305 mm.

Busbar Adapters Types EEC6025-L, EEC6032-L, EEC6063-L
 (UL-File E123577 Vol. 2 Sec. 1)

When protected by	SCCR
Fuses Class J, CC, CF, T, rated max. 60 A	100 kA @ 600 V AC / DC

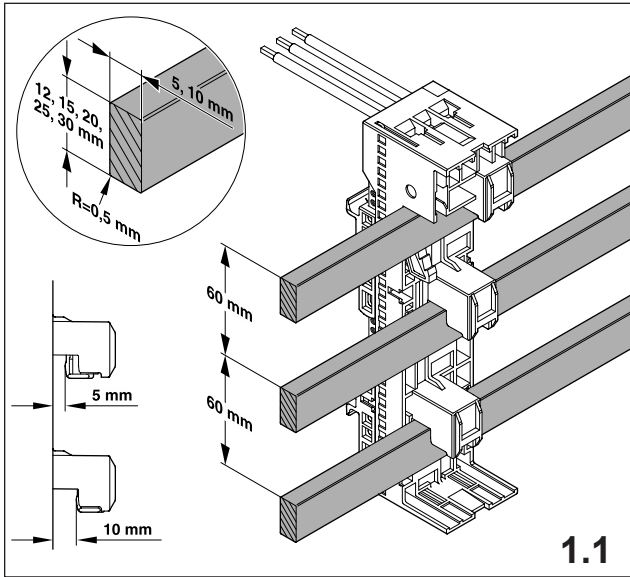
Suitable for use on a circuit capable of delivering not more than 65kA SCCR Symmetrical Ampers, 480 Volts maximum. When protected by a circuit Breaker having an interrupting rating not less than 65kA SCCR Symmetrical Ampers, 480 Volts maximum.

Suitable for use on a circuit capable of delivering not more than 50kA SCCR Symmetrical Ampers, 600 Volts maximum. When protected by a circuit Breaker having an interrupting rating not less than 50kA SCCR Symmetrical Ampers, 600 Volts maximum.

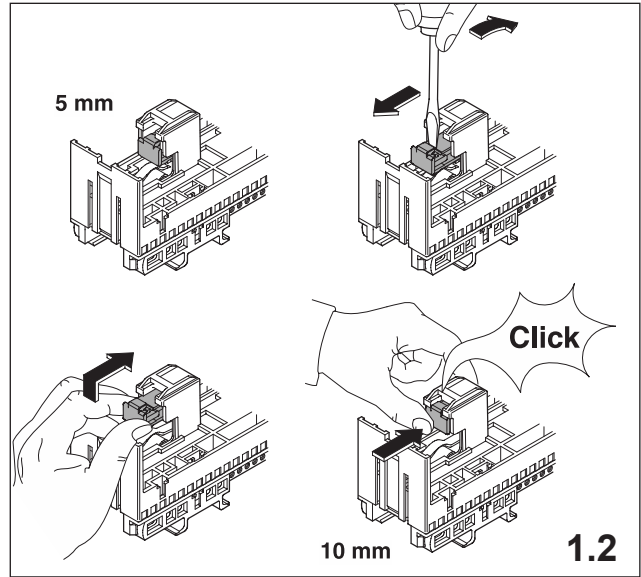
Suitable for use on a circuit capable of delivering not more than 100kA SCCR Symmetrical Ampers, 600 Volts maximum. When protected by a circuit Breaker having an interrupting rating not less than 100kA SCCR Symmetrical Ampers, 600 Volts maximum.

1. Schienensystem

Busbar system



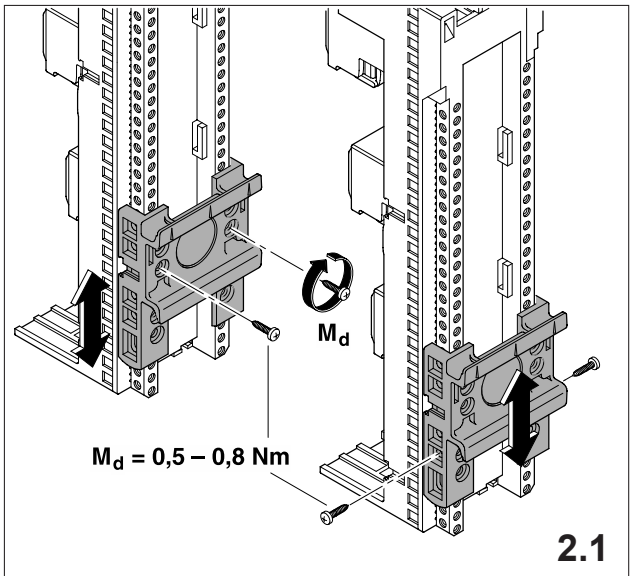
1.1



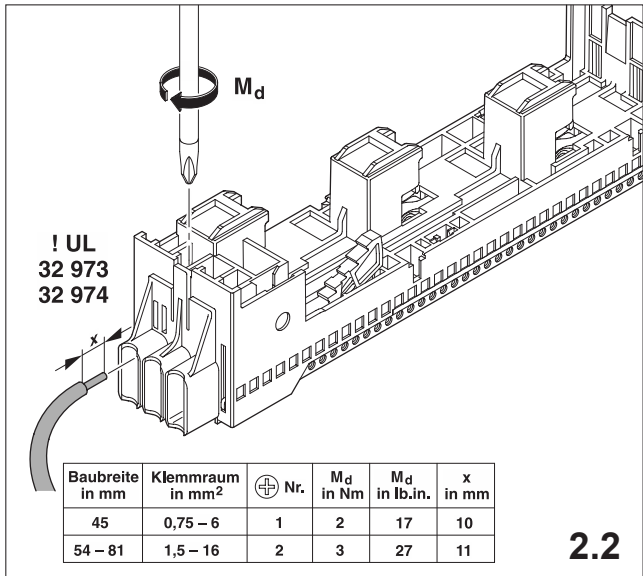
1.2

2. Vorbereitung für die Montage

Preparations for the assembly



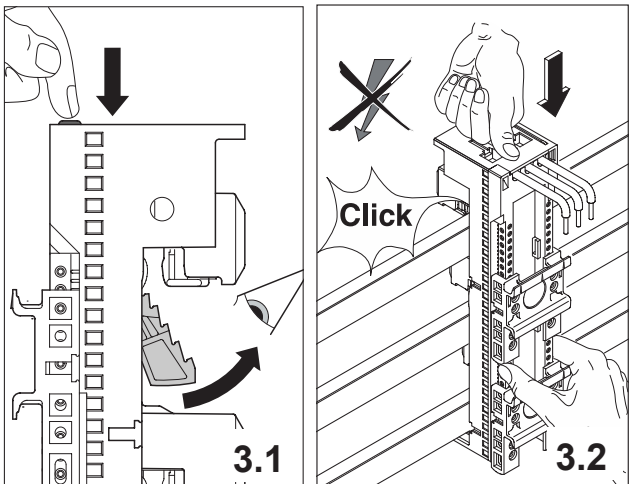
2.1



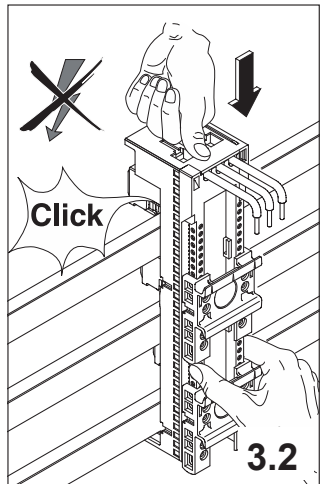
2.2

3. Montage Adapter

Assembly of the adapter



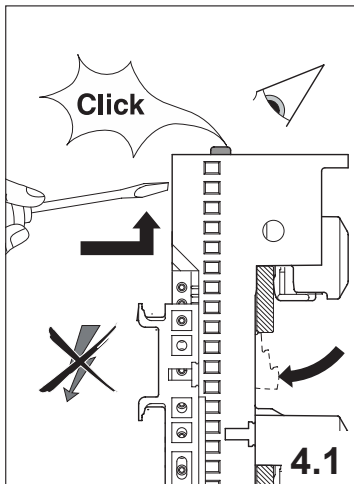
3.1



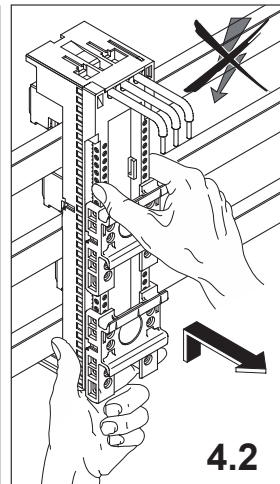
3.2

4. Demontage Adapter

Disassembly of the adapter



4.1



4.2