

# wöhner

## CAPUS® Panel

Lasttrennschalter  
Switch-disconnector  
Interruptor-Seccionador  
Interrupteur-sectionneur  
Sezionatore sottocarico  
隔离开关



**Achtung:** Vor Installations- oder Servicearbeiten Stromversorgung unterbrechen, um Unfälle zu vermeiden. Die Geräte müssen in einem passenden Gehäuse eingebaut und gegen Verschmutzung geschützt werden. Inbetriebsetzung und Wartung nur durch Fachpersonal!

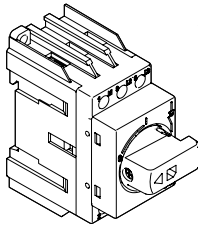
**Attention:** To prevent electrical shock, disconnect from power source before installing or servicing. Install in suitable enclosure. Keep free from contaminants. To be commissioned and maintained only by qualified personnel!

**Atención:** Con el objeto de evitar accidentes, hay que desconectar la alimentación eléctrica antes de realizar el montaje y la puesta en marcha. Debe instalarse en una caja o armario apropiado. Debe protegerse el producto de los ambientes agresivos. La puesta en marcha y el mantenimiento ha de hacerlo exclusivamente por personal especializado!

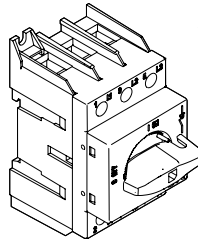
**Attention:** Avant le montage et la mise en service, couper l'alimentation secteur afin d'éviter tout accident. Prévoir une mise en coffret ou armoire appropriée, protéger le produit contre les environnements agressifs. Mise en service en entretien: seulement par du personnel spécialisé!

**Attenzione:** Per prevenire infortuni, togliere tensione prima dell'installazione o manutenzione. Installare in custodia idonea. Tenere lontano da contaminanti. Messa in servizio e manutenzione solo da personale specializzato!

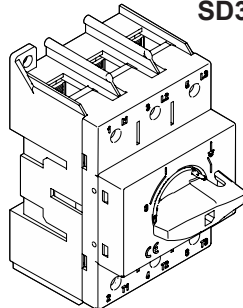
注意: 安装前或检修前应切断电源, 以防事故, 开关应安装在适合的箱体内, 同时应做好防污染保护。只有专业人员才能做运行、维护、保养的工作。



SD1-3



SD2-3



SD3-3

**For SD1:** Break all lines. Suitable for use on a circuit capable of delivering not more than 5000 rms symmetrical Amperes, 600 VAC, when protected by fuses rated 40 A max. Use fuses Only. Use 75°C copper (CU) conductor only and wire ranges No. 6-16 AWG, stranded or solid, or equivalent. The terminal tightening torque of 18 lb.in (2N-m), or equivalent. Minimum enclosure size: 125 mm x 125 mm x 110 mm, or equivalent.

**For SD2:** Break all lines. Suitable for use on circuits capable of delivering not more than 5000 rms symmetrical Amperes, 600 VAC Maximum, when protected by fuses rated 80 A max. Use fuses Only. Wire size 1-6 AWG, torque value 3,5 Nm, 31 lb.in. Temperature rating and material of conductors: "60/75°C wire Cu only".

**For SD3:** Break all lines. Suitable for use on circuits capable of delivering not more than 10000 rms symmetrical Amperes, 600 VAC maximum, when protected by fuses rated 175 A max. Use fuses Only. AWG Range: 3/0-6 STR. Field Wiring Terminals Tightening Torque: 53,10 lb.in (6 N-m). Temperature rating and material of conductors: "75°C wire Cu only". (When used with handle models SD-H-3, SD-H-4 only) for use on a flat surface, type 1 only.



Ambient temperature max. 60°C only for general use

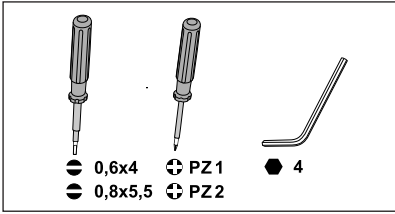
For SD1-3-16 and SD1-3-16-R	600 V, 3 phase, 16 A.
For SD1-3-25 and SD1-3-25-R	600 V, 3 phase, 25 A.
For SD1-3-32 and SD1-3-32-R	600 V, 3 phase, 32 A.
For SD1-3-40 and SD1-3-40-R	600 V, 3 phase, 40 A.
For SD2-3-63 and SD2-3-63-R	600 V, 3 phase, 63 A.
For SD2-3-80 and SD2-3-80-R	600 V, 3 phase, 65 A.
For SD2-3-100 and SD2-3-100-R	600 V, 3 phase, 65 A.
For SD3-3-125 and SD3-3-125-R	600 V, 3 phase, 125 A.
For SD3-3-160 and SD3-3-160-R	600 V, 3 phase, 160 A.

Type numbers of accessories

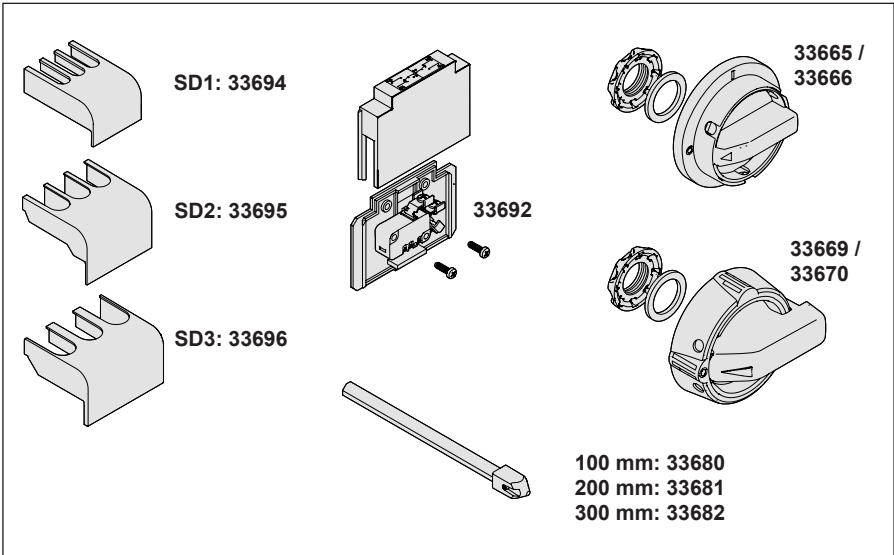
SD-H-1	SD1-S
SD-H-2	SD2-S
SD-H-3	SD3-S
SD-H-4	SD1-C-3
SD-S-1	SD2-C-3
SD-S-2	SD3-C-3
SD-S-3	SD1-C-1
SD-A	SD2-C-1
SD1-N	SD3-C-1
SD2-N	
SD3-N	
SD1-E	
SD2-E	
SD3-E	

ALLES MIT SPANNUNG

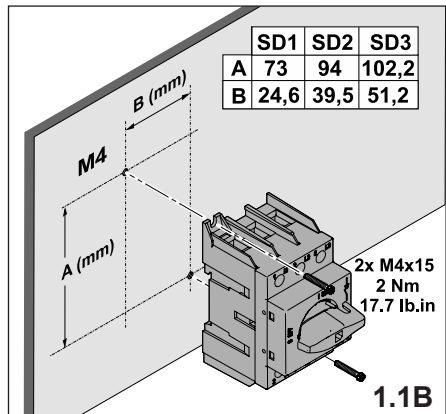
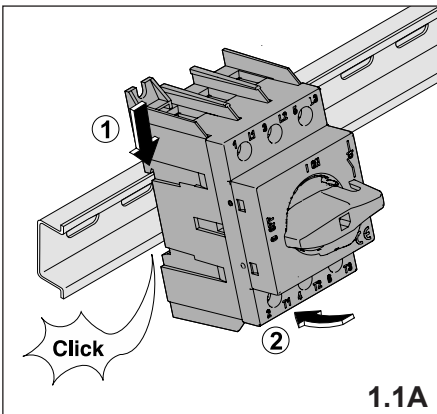
**Werkzeuge Tools**



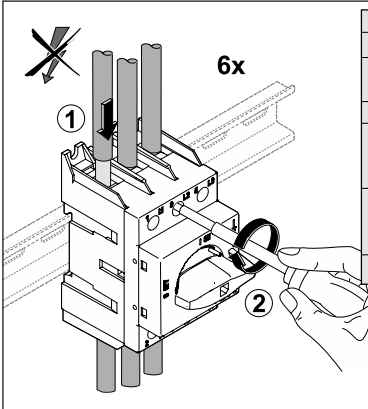
**Zubehör Accessories**



**1. Montage Mounting**



## 2. Anschlüsse Connections

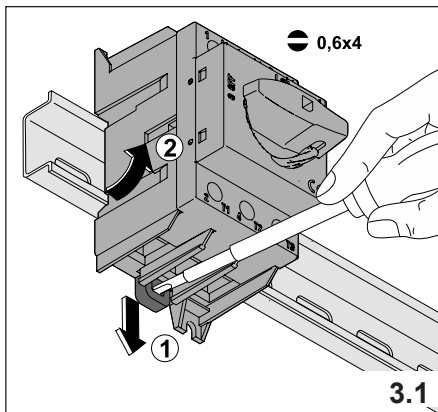


SD1	SD2	SD3
Cu wire only	Cu wire only	Cu wire only
2,5 - 16 mm <sup>2</sup>	16 - 50 mm <sup>2</sup>	50 - 70 mm <sup>2</sup>
16 - 6 AWG	6 - 1 AWG	6 - 3/0 AWG
60°C/75°C	60°C/75°C	60°C/75°C
IEC: stranded, solid, flexible	IEC: stranded, solid, flexible	IEC: stranded, solid, flexible
UL: stranded, solid	UL: stranded, solid	UL: stranded
M5	M6	M8
2 Nm	3,5 Nm	6 Nm
17,7 lb.in	31 lb.in	53,1 lb.in
⊕PZ1/⊖0,6x4	⊕PZ2/⊖0,8x5,5	⊖4

SD1 = 10 mm  
 SD2 = 13 mm  
 SD3 = 15 mm

**2.1**

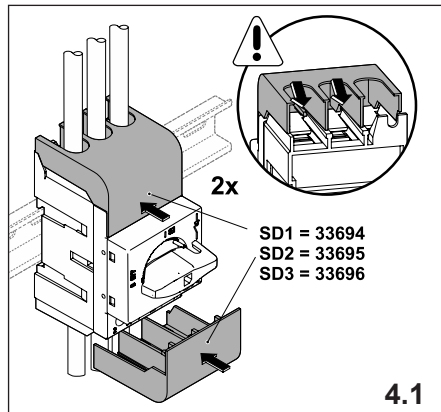
## 3. Demontage Dismounting




⊖ 0,6x4

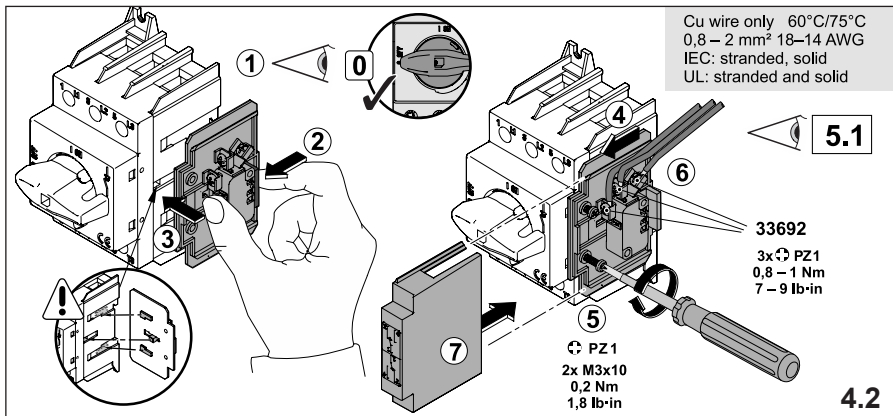
**3.1**

## 4. Zubehör Accessories



  
 2x  
 SD1 = 33694  
 SD2 = 33695  
 SD3 = 33696

**4.1**



Cu wire only 60°C/75°C  
 0,8 - 2 mm<sup>2</sup> 18-14 AWG  
 IEC: stranded, solid  
 UL: stranded and solid

**5.1**

33692  
 3x ⊕PZ1  
 0,8 - 1 Nm  
 7 - 9 lb.in

⊕PZ1  
 2x M3x10  
 0,2 Nm  
 1,8 lb.in

**4.2**

33680/  
33681/  
33682

SD1: M3x12  
SD2, SD3: M3x14

PZ1  
0,5 Nm  
4,5 lb.in

33665/  
33666

33669/  
33670

≥ 100 mm

33665/  
33666

33669/  
33670

≥ 150 mm

90 / 190 / 290 mm  
(33680 / 33681 / 33682)

A für/for 33665/33666

L (mm)	100	200	300
SD1	62	162	262
SD2	60	160	260
SD3	61	161	261

0 mm

A für/for 33669/33670

L (mm)	100	200	300
SD1	50	150	250
SD2	48	148	248
SD3	49	149	249

12 mm

**4.3**

1x

≤ 4 mm SD1  
≤ 5 mm SD2, SD3

3x

≤ 6 mm  
33665/33666  
33669/33670

**4.4**

**Drehgriff mit überlistbarer Türsperre**  
External rotary handle with defeatable interlock

33669/33670

**4.5**

**5. Schaltplan circuit diagram**

