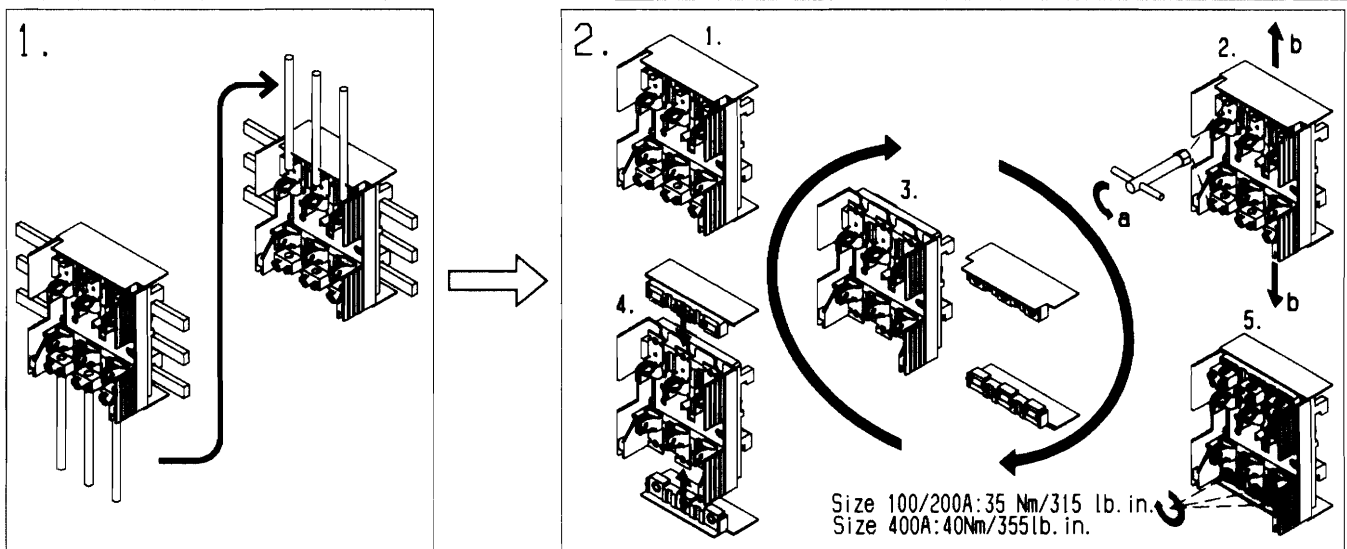
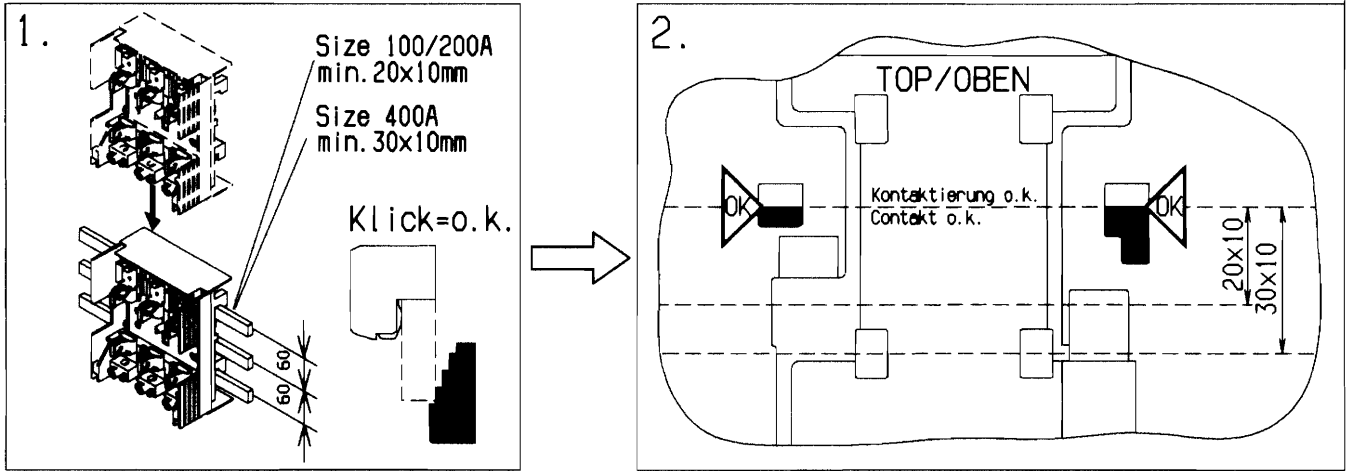


Montageanleitung für Sicherungsunterteil CLASS J 100A-200A-400A
 Mounting instructions for fuse base CLASS J 100A-200A-400A

a) Sammelschienenmontage Busbar mounting



3. Buchsenklemmenmontage
 Mounting of tunnel terminal

100A	200A	400A
6-70mm ² /AWG 10-2/0	10-150mm ² /AWG 8-MCM 300	16-300mm ² /AWG 4-MCM 600
<p>6 → 14 Nm / 125 lb. in. 6Nm / 53 lb. in.</p>	<p>8 → 16 Nm / 142 lb. in. 8Nm / 70 lb. in.</p>	<p>10 → 38 Nm / 336 lb. in. 8Nm / 70 lb. in.</p>

